

Isometric View

Prepared using Tekla Structures® (www.tekla.com)

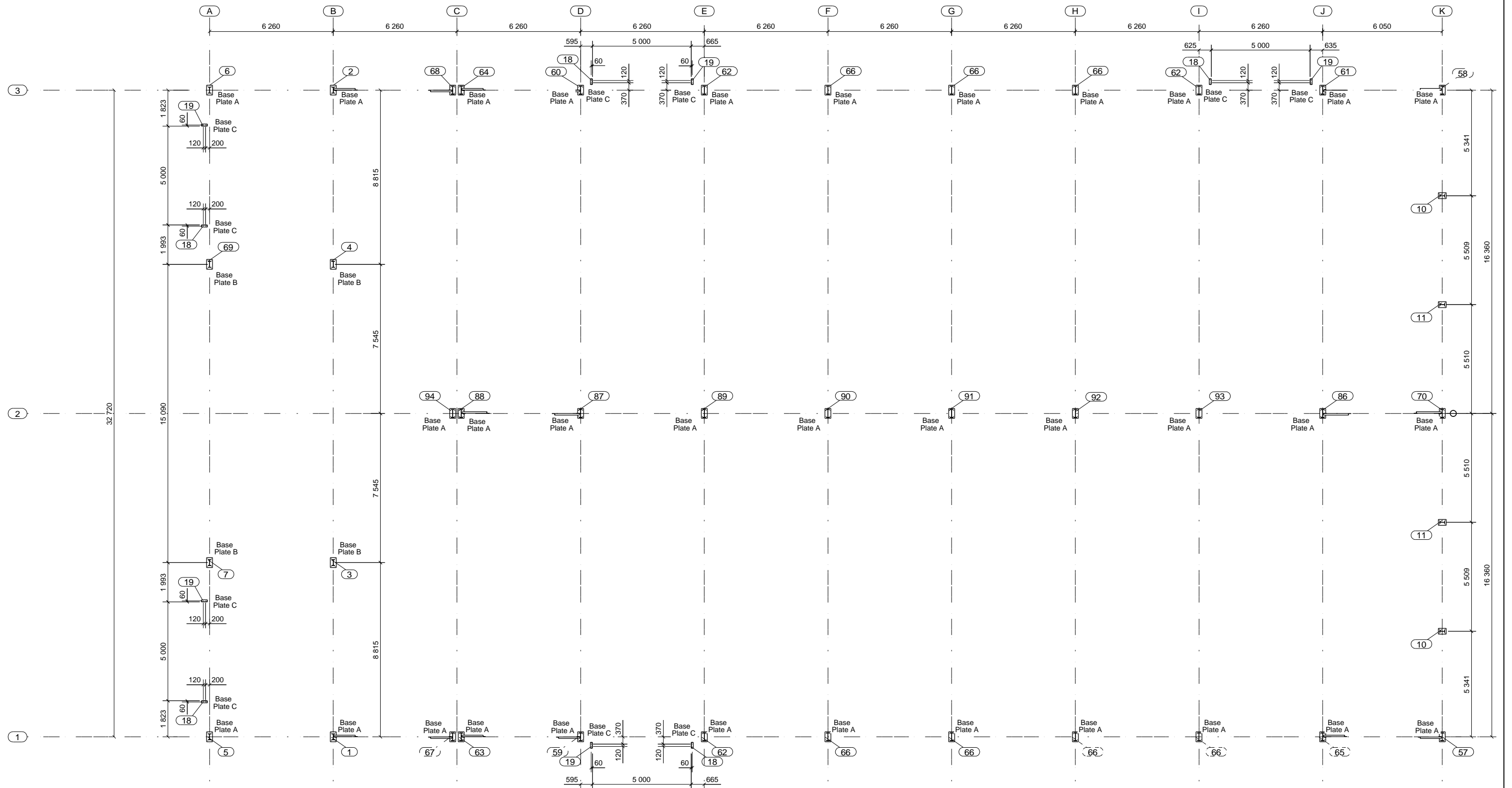
©Copyright. All rights reserved. Drawing copyright holder (Yo

PCS
 Factory 1
 Stand 1351 Germiston Ext. 18 Township
 Client's Ref: 803/S/005
 Burger & Company (Pty) Ltd.
 Tel +27 11 894 3271 Fax +27 11 894 6227

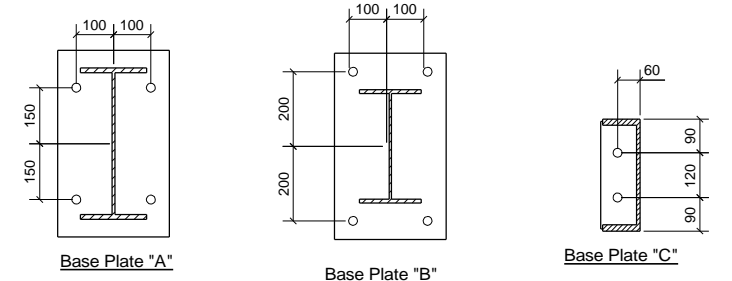
P.O. Box 26573
 East Rand 1462, South Africa
 burger@bc.co.za burger_buget.co.za

Model: 1612A - Revs	1	A	Issued for Approval	07-10-2016
Drawn	G.V.S	Scale	1:50	Date
Issued		Reviewed	07-10-2016	Project Number
				1612A
Sheet	G	1	A	





Plan On Bases



2	B	Layout Revised	10-07-2018
1	A	Issued for Approval	07-10-2016

PCS
 Factory 1
 Stand 1351 Germiston Ext. 18 Township
 Client's Ref: 803/S/005

Model: 1612A - Rev 1

Drawing Title: Plan On Bases

Scale: 1:10

Drawn: G.V.S.

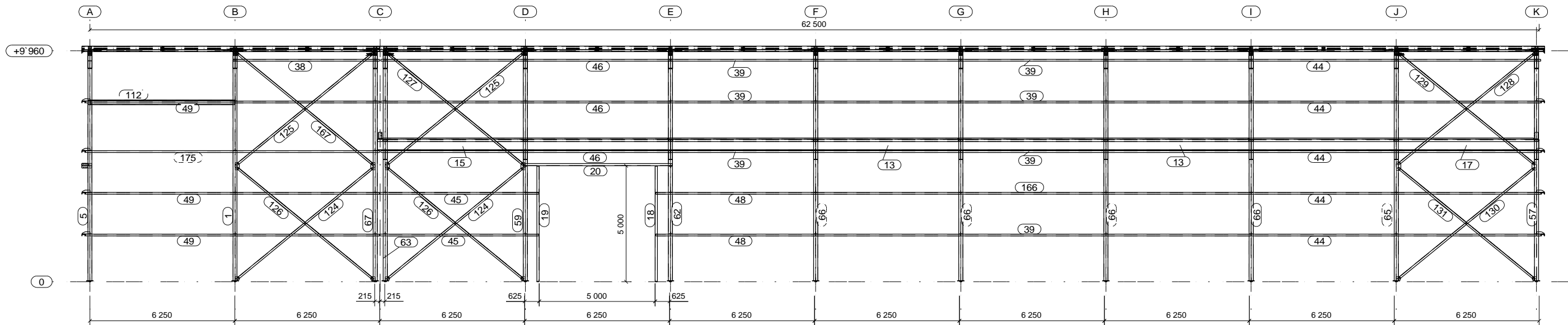
Checked: G.V.S.

Reviewed: 10-07-2018

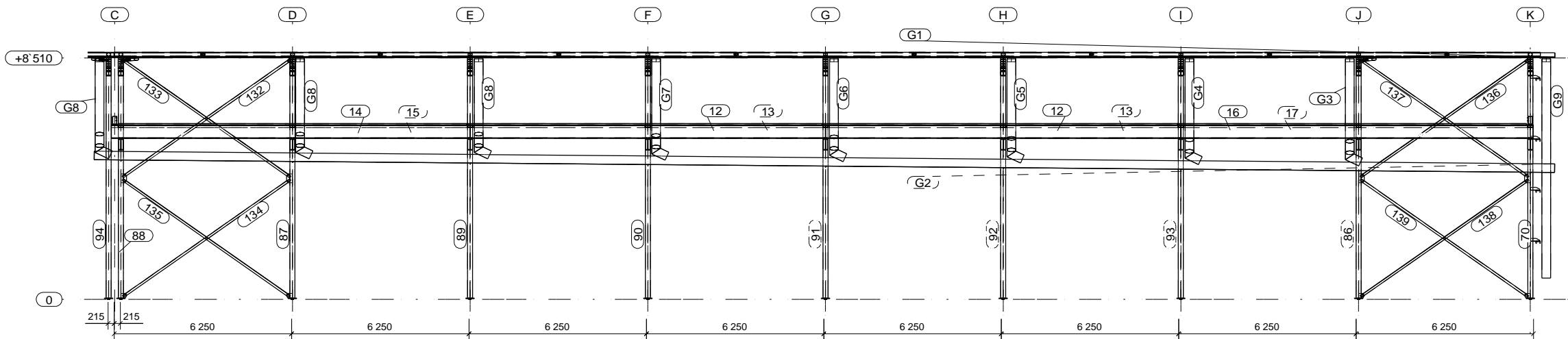
Project Number: 1612A

Sheet: G | 2 | B

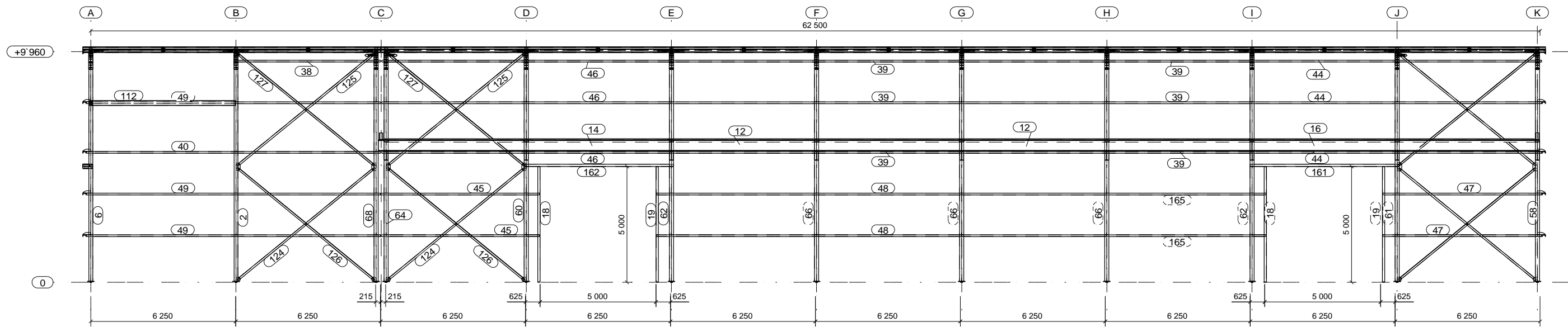
Burger & Company (Pty) Ltd.
 P.O. Box 26573
 East Rand 1402, South Africa
 Tel +27 11 894 3271 Fax +27 11 894 6227



Line 1

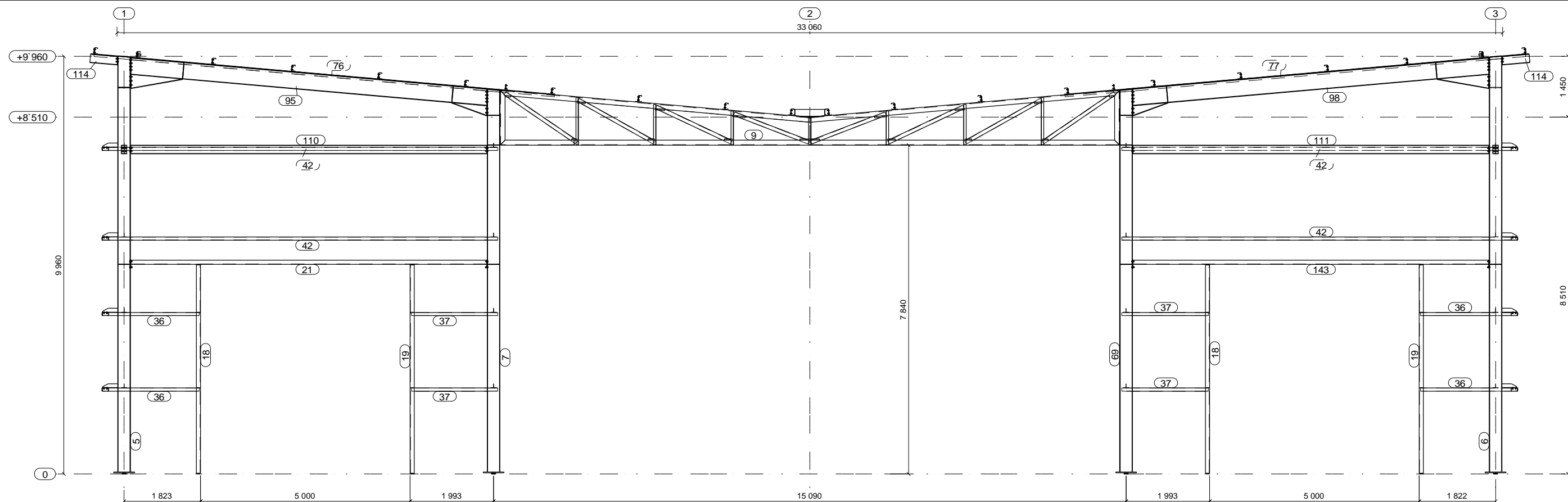


Line 2

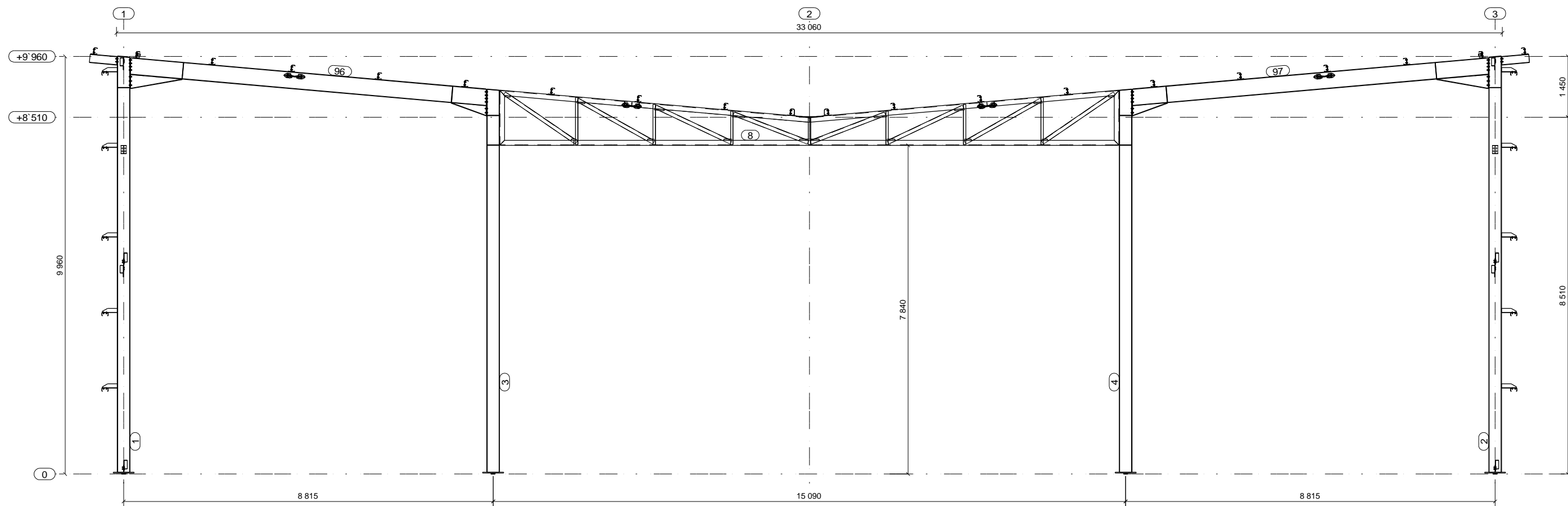


Line 3

PCS Factory 1 Stand 1351 Germiston Ext. 18 Township Client's Ref: 803/S/005		1 A Issued for Approval Model: 1612A - Rev A		07-10-2016 Date
Burger & Company (Pty) Ltd. P O Box 26573 East Rand 1462, South Africa Tel +27 11 894 3271 Fax +27 11 894 6227		Section on Lines 1; 2 & 3		G.V.S. 1:90 Drawn 07-10-2016 Revisited 1612A Project Number
©Copyright. All rights reserved. Drawing copyright holder (Yo.		1612A Rev		G 3 A



Line A



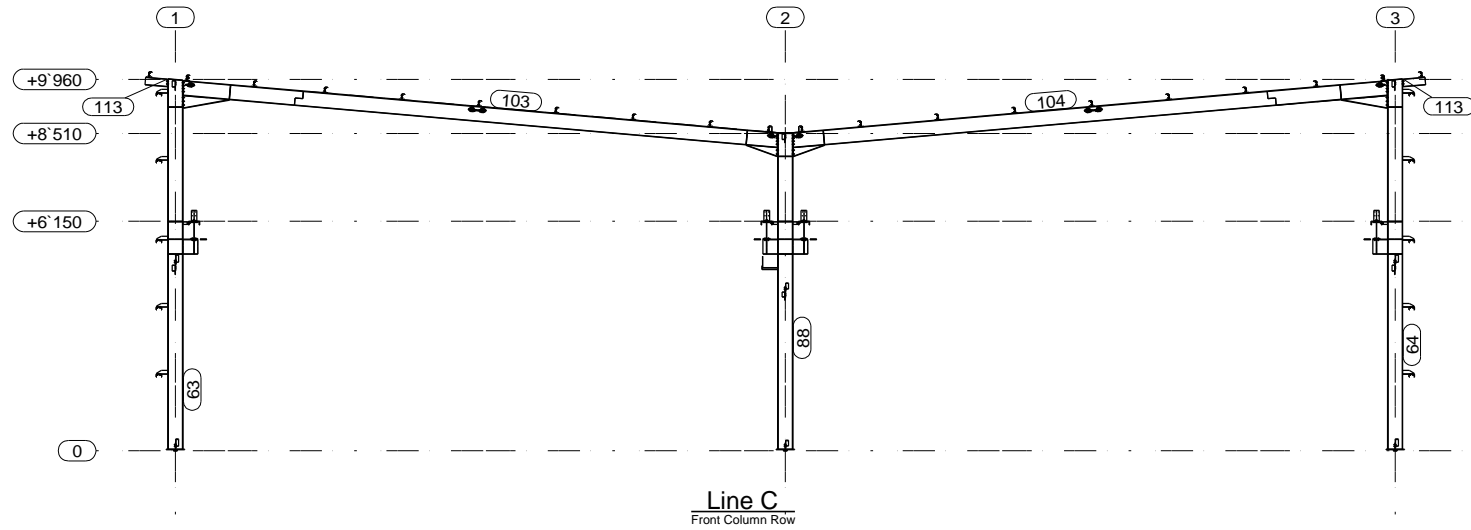
Line B

1	A	Issued for Approval	07-10-2016
Rev	Mark	Revision Description	Date

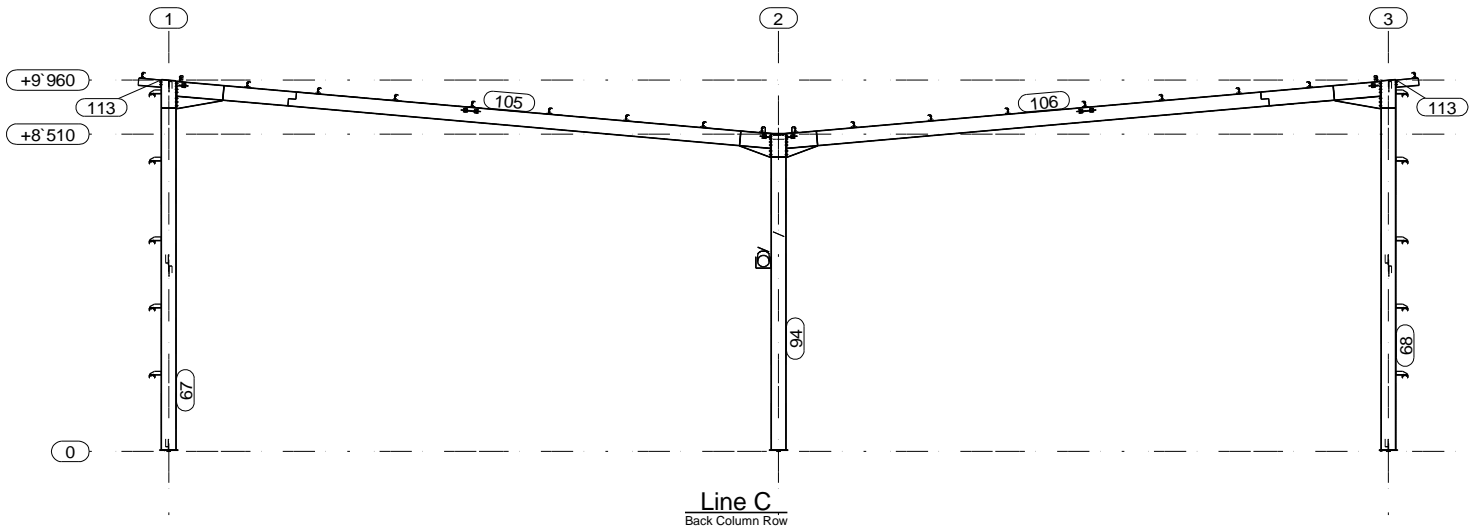
PCS
 Factory 1
 Stand 1351 Germiston Ext. 18 Township
 Client's Ref: 803/S/005

Section on Lines A & B		Drawn	G.V.S
		Scale	1:50
		Issued	07-10-2016
		Project Number	1612A
		Rev	A

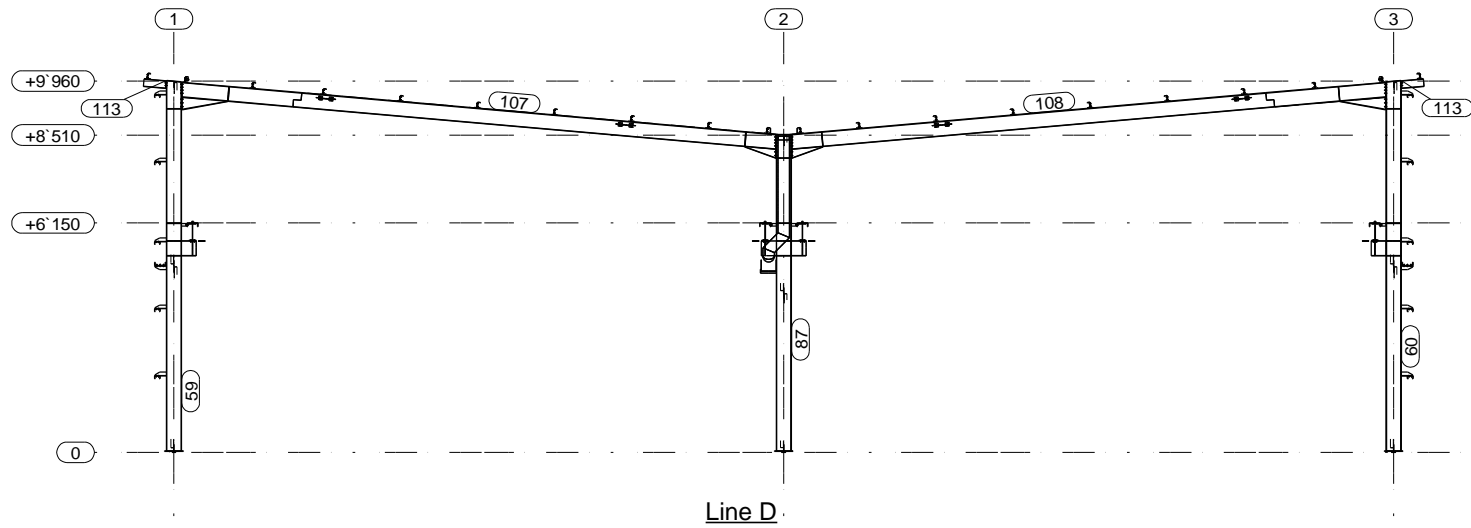
Burger & Company (Pty) Ltd.
 P O Box 26573
 East Rand 1462, South Africa
 Tel +27 11 894 3271 Fax +27 11 894 6227
 www.burgerandco.co.za



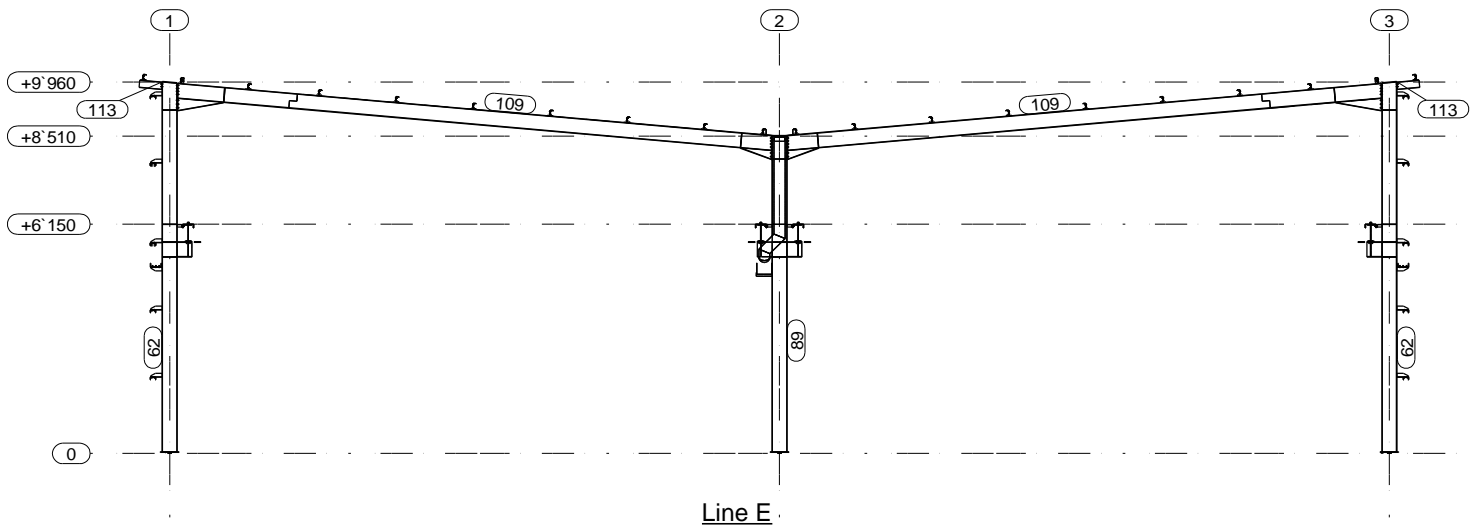
Line C
Front Column Row



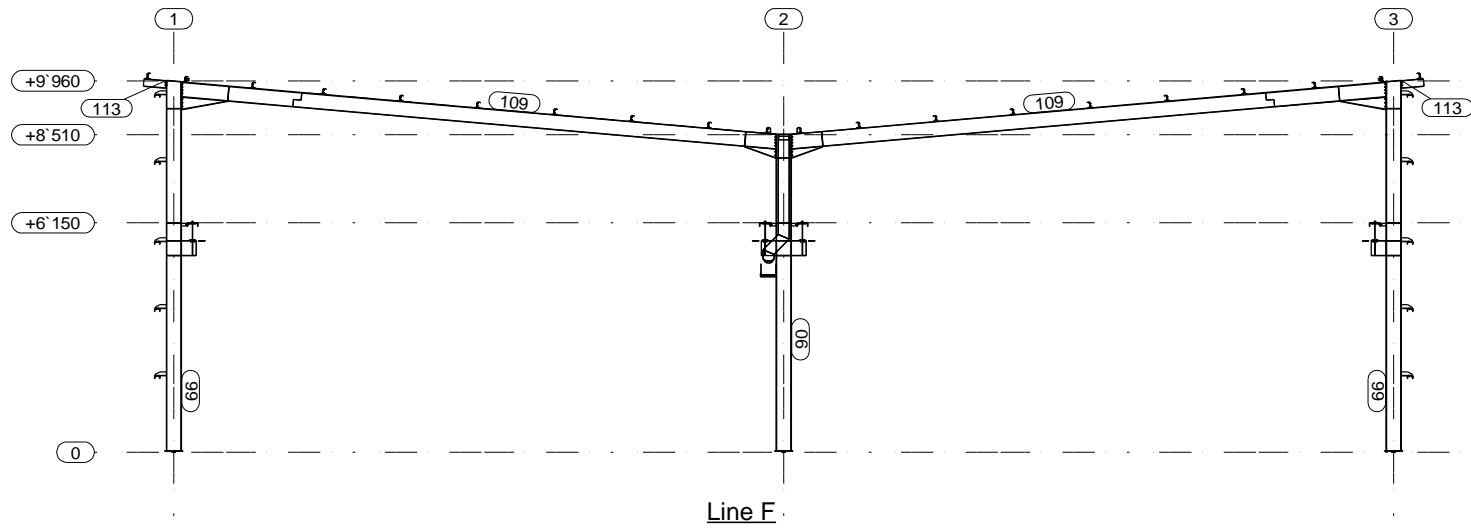
Line C
Back Column Row



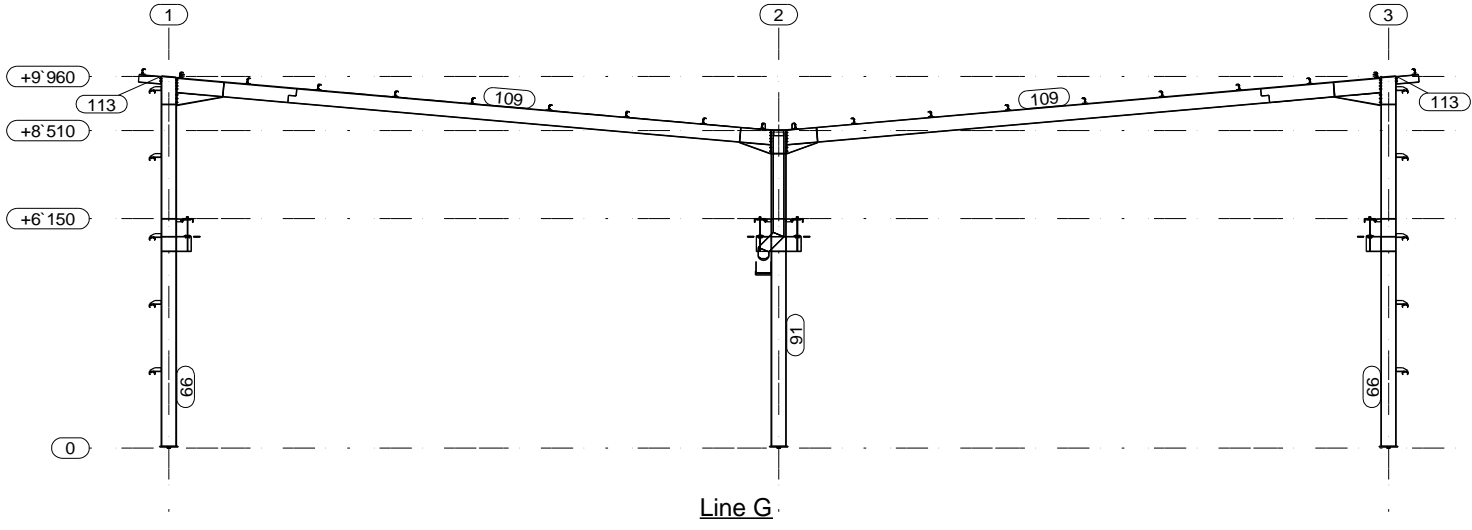
Line D



Line E



Line F



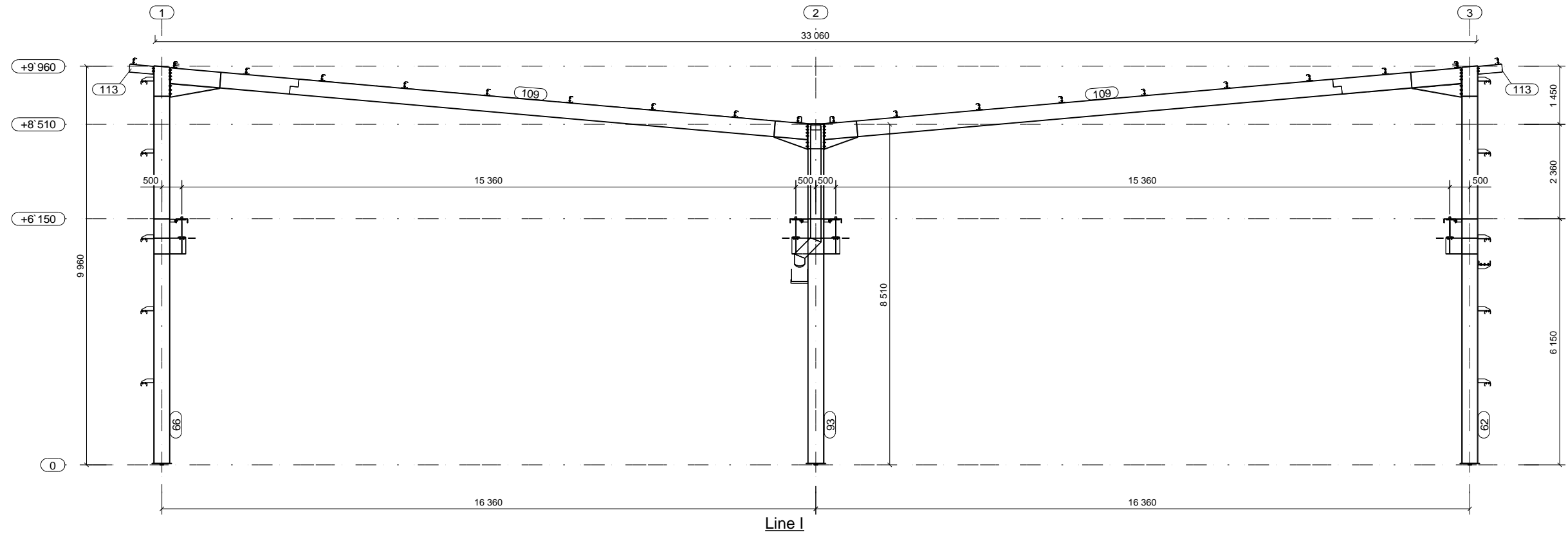
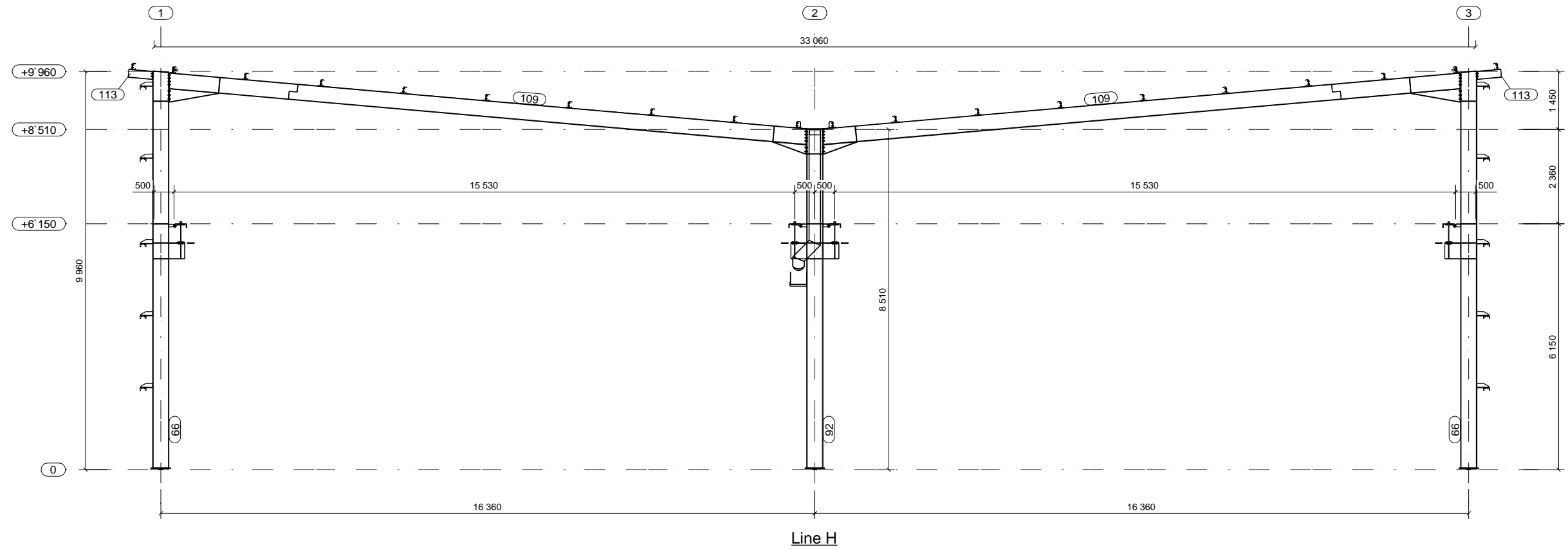
Line G

1	A	Issued for Approval	07-10-2016
---	---	---------------------	------------

PCS
Factory 1
Stand 1351 Germiston Ext. 18 Township
Client's Ref: 803/S/005

Section on Lines C; D; E; F & G		Drawn G.V.S.	Scale 1:100
		Issued 07-10-2016	Project Number 1612A
		Drawn G	Rev 5
		A	

Burger & Company (Pty) Ltd.
P.O. Box 26573
East Rand 1462, South Africa
Tel +27 11 894 3271 Fax +27 11 894 6227
www.burgerandco.co.za



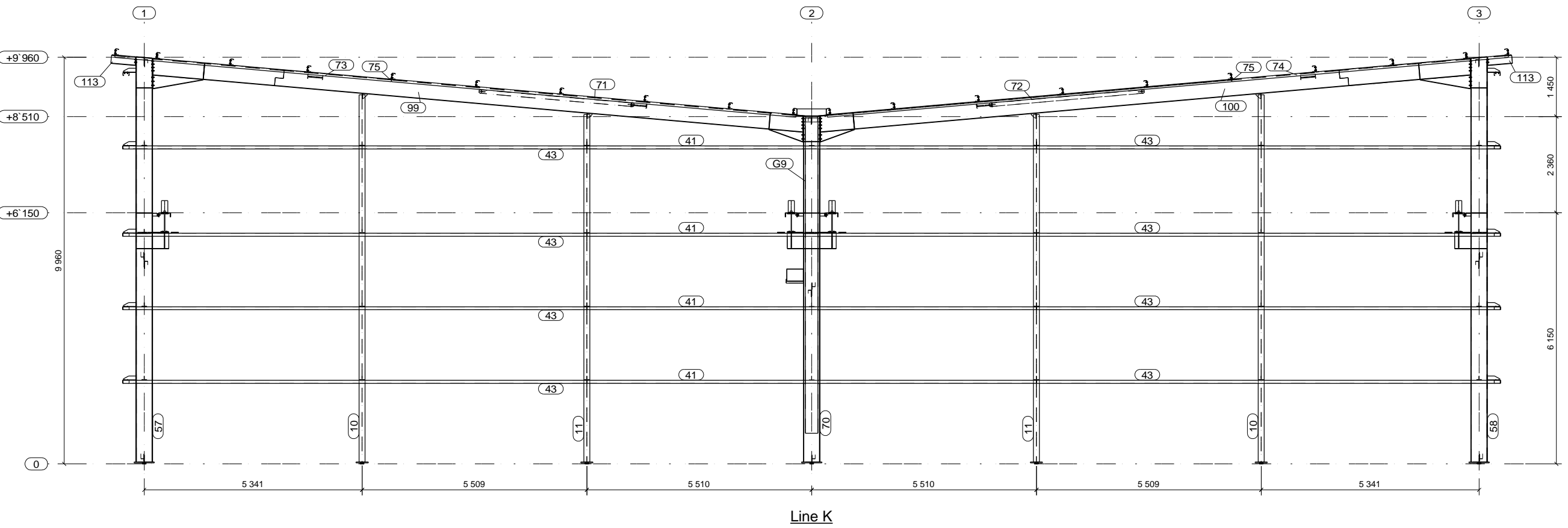
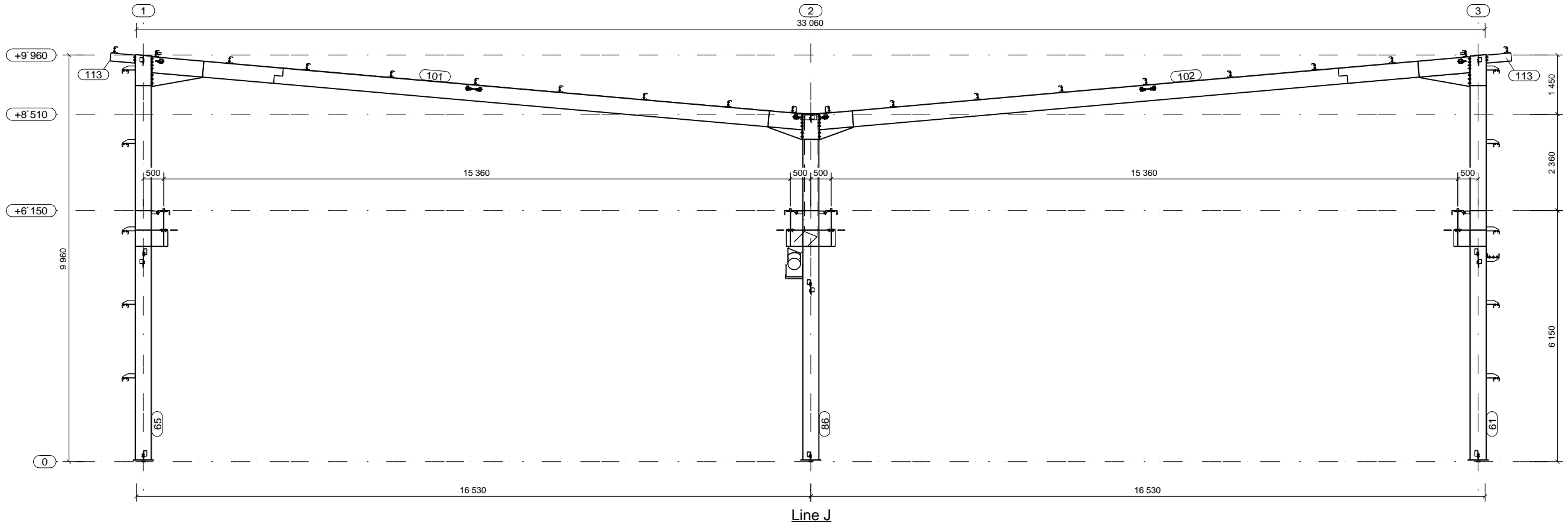
1	A	Issued for Approval	07-10-2016
---	---	---------------------	------------

PCS
 Factory 1
 Stand 1351 Germiston Ext. 18 Township
 Client's Ref: 803/S/005

Section on Lines H & I

Drawn	G.V.S
Scale	1:50
Issued	07-10-2016
Project Number	1612A
Sheet	G 6 A

Burger & Company (Pty) Ltd.
 P.O. Box 26573
 East Rand 1462, South Africa
 Tel +27 11 894 3271 Fax +27 11 894 6227
 www.burgerandco.co.za



1	A	Issued for Approval	07-10-2016
Rev	Mark	Revision Description	Date

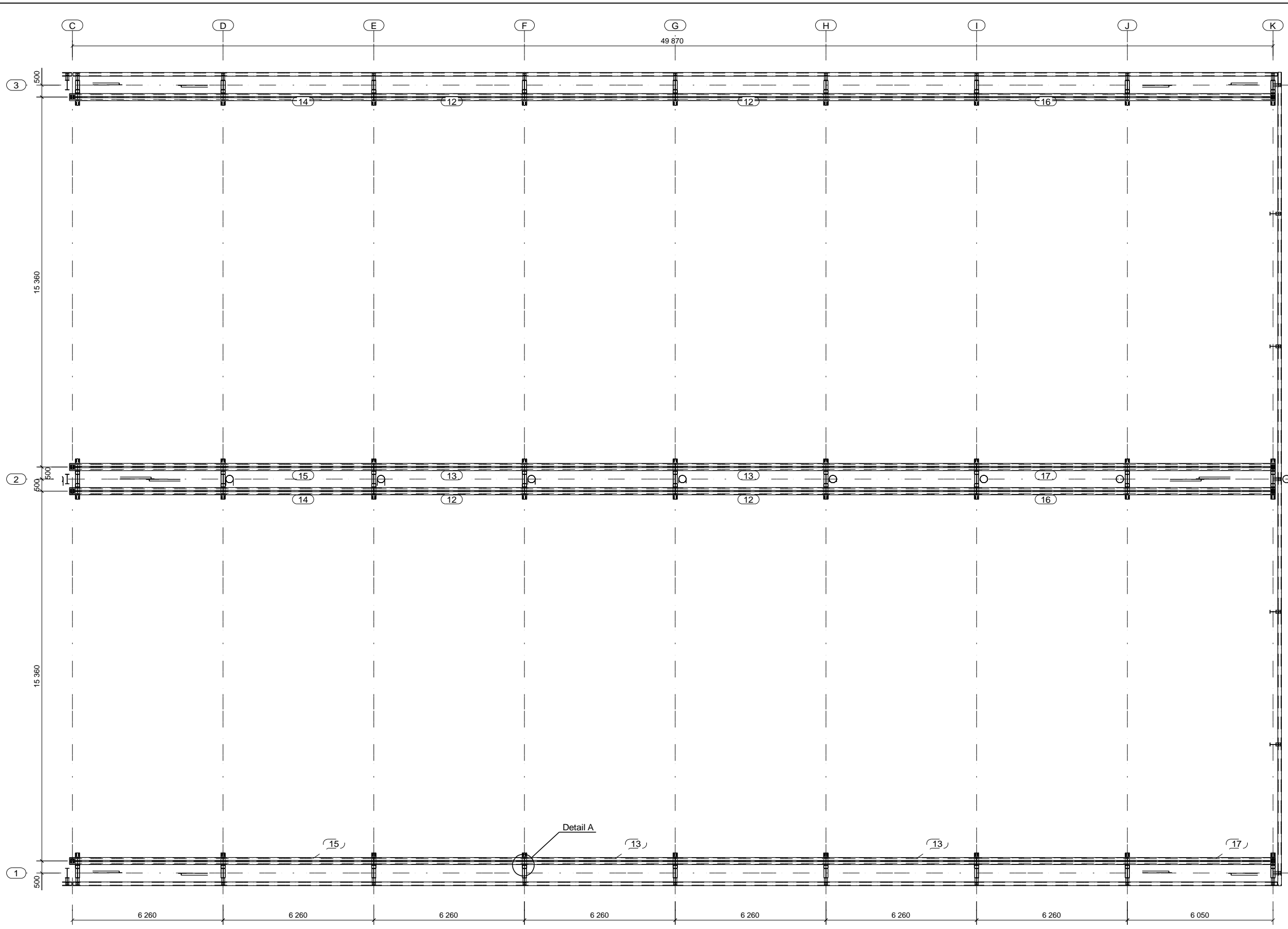
PCS
 Factory 1
 Stand 1351 Germiston Ext. 18 Township
 Client's Ref: 803/S/005

Burger & Company (Pty) Ltd.
 P.O. Box 26573
 East Rand 1462, South Africa
 Tel +27 11 894 3271 Fax +27 11 894 6227
 www.burgerandco.com

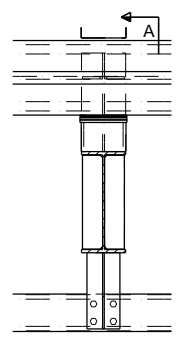
Section on Lines J & K

Drawn: G.V.S.
 Scale: 1:55
 Issued: 07-10-2016
 Project Number: 1612A

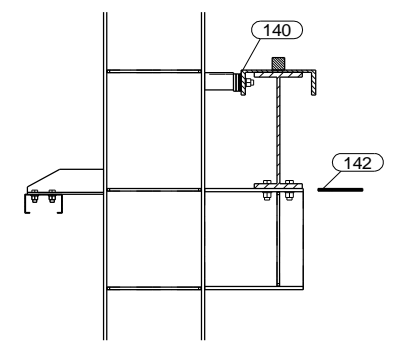
Drawn: G [7] A



LVL + 6 150
Plan On Crane Beams



Detail A

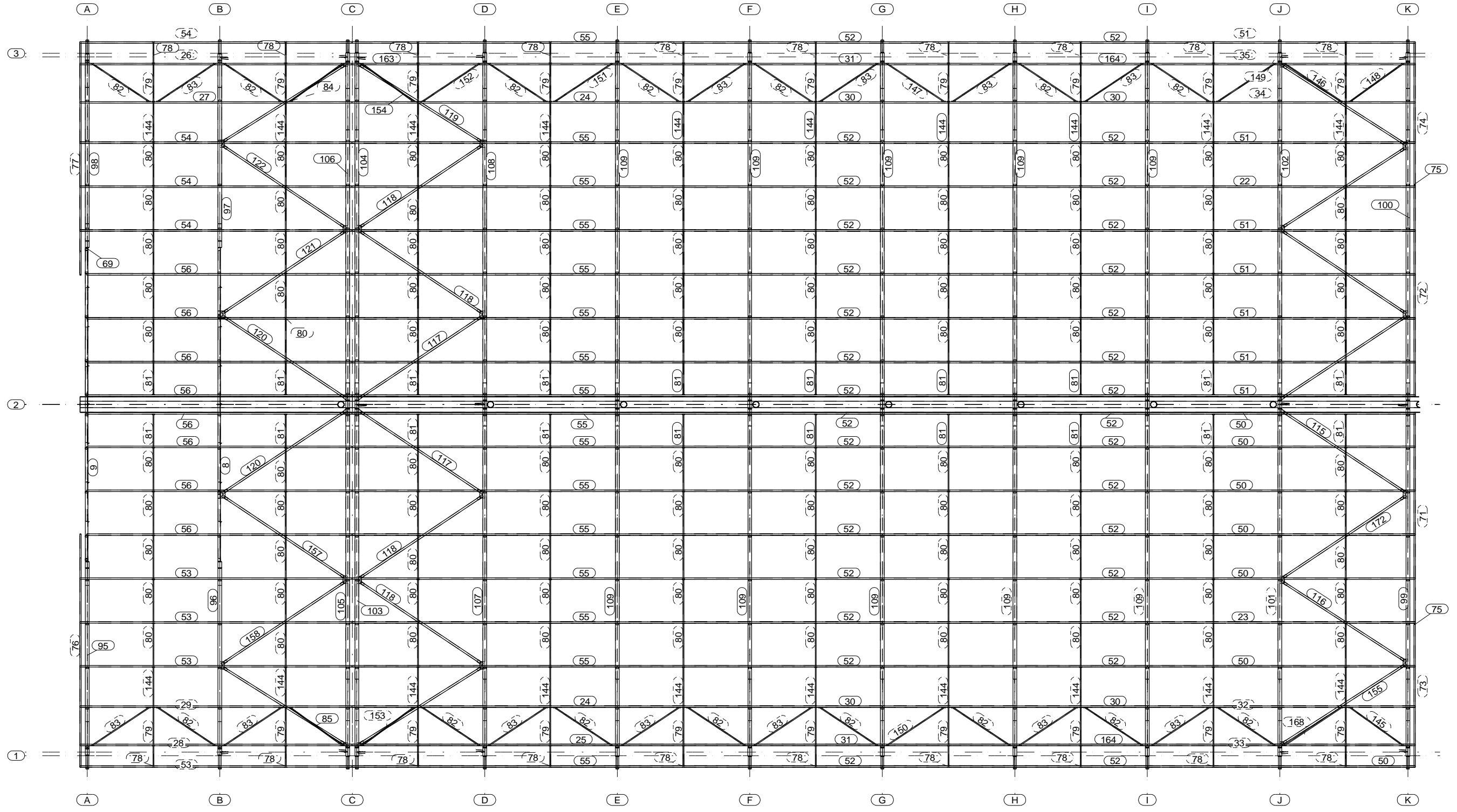


A-A

1	A	Issued for Approval	07-10-2016
Model - 1612A - Rev		Rev	Max
Revision Description		Date	
Drawn	G.V.S	Scale	1:80
Issued	07-10-2016	Project Number	1612A
Drawn	G	Rev	A

PCS
Factory 1
Stand 1351 Germiston Ext. 18 Township
Client's Ref: 803/S/005

Burger & Company (Pty) Ltd.
P.O. Box 26573
East Rand 1462, South Africa
Tel +27 11 894 3271 Fax +27 11 894 6227
sales@bcs.co.za



Roof Plan

1	A	Issued for Approval	07-10-2016
---	---	---------------------	------------

PCS
 Factory 1
 Stand 1351 Germiston Ext. 18 Township
 Client's Ref: 803/S/005

Roof Plan	Drawn G.V.S
	Scale 1:50
	Issued 07-10-2016
	Project Number 1612A
	Drawn G [9] A

Burger & Company (Pty) Ltd.
 P.O. Box 26573
 East Rand 1462, South Africa
 Tel +27 11 894 3271 Fax +27 11 894 6227